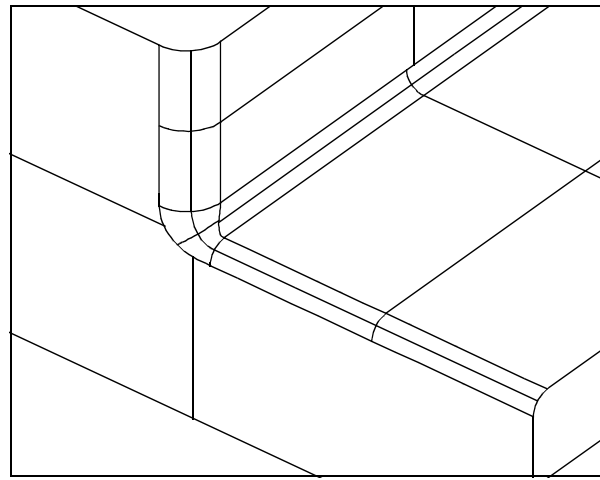
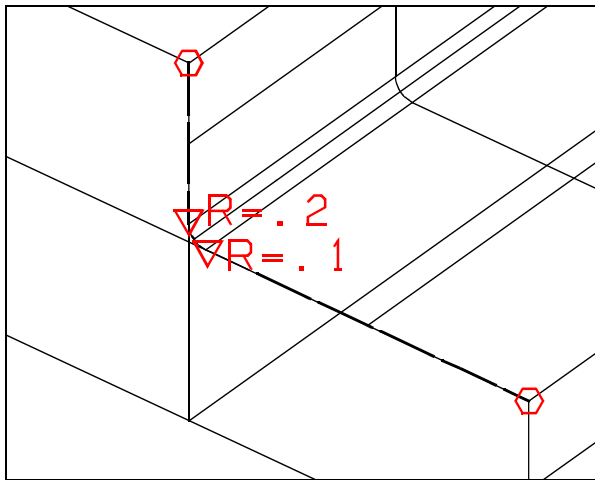
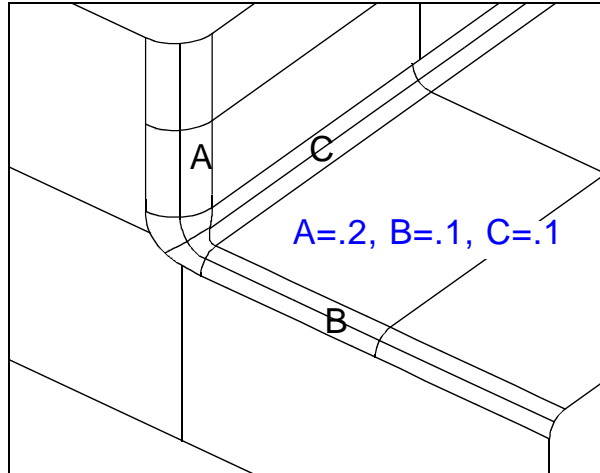


If all the fillets are created at the same time, the transition fillet will be different. In this case it doesn't matter what the order of selection is, as CATIA automatically reorders the fillets during creation.

We can get a similar result if we create the inside edge first, and then create a variable radius fillet with the transition occurring across the fillet edge.



The results are similar, but not exact. In the figure to the right, we are taking a closer look at the transition fillet.

The blue curves belong to the first example when all the fillets were created simultaneously. The green curves belong to the variable radius fillet.

